



Bringing Antiquities From the Old World to the New



Pedestals

Urns

Plaques

Furniture

Decorative

Birdbaths

Statues

Wall Planters

Sconces

Fountains

Architectural

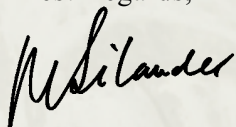
Michael Silander, son Paul and friend and partner Don Schier are the core of Silcast. Along with a dedicated and talented staff, we produce uniquely finished quality castings, bringing pieces from around the Old World to today's marketplace. Established in 1986 by Michael Silander and Sons, Silcast continues to expand its collection while servicing our valued clients on a one-to-one basis. Recent demand has led us to produce items of increased size and complexity while maintaining the highest levels of quality and service.

Over the past two decades, Silcast has grown from a small family business to a major North American trade supplier. However, despite this growth the same individual attention is given to every hand-finished piece throughout the creative and production processes. By closely overseeing these aspects of our business Silcast and its team are able to maintain an incredible level of quality and customer service.

Our unique finishes are what separate Silcast Inc. from our competition. Using a process developed by Silcast founder Michael Silander, our team hand finishes each individual piece giving our products their ancient antiqued look and feel and thus no two are alike. All of our pieces are available in several different patinas including: Rustic, Aged Moss, Stonehenge, Weathered Granite and Patinaed Bronze, each inspired by Mother Nature herself. We are confident that through creativity, attention to detail and our hands on approach to production we can meet the needs of any project.

The majority of our items are reinforced with steel rods and or steel mesh. This gives our product the necessary strengths to withstand all climates. In addition to this we use both fiber and additives for the density and strength. We supply all our castings fully cured and sealed ready for many years of trouble free interior and exterior use. We do however recommend that some additional steps be taken by the customer to ensure maximum satisfaction. These include removal of soil and water from planters and fountains in sub zero climates and an annual re-application of concrete sealer.

Best Regards,



Michael Silander
Sr. Vice President

Patinaed Bronze
Premium Finish



Rustic



Aged Moss



Weathered Granite



Stonehenge



* Please note that all weights are approximate and may vary.

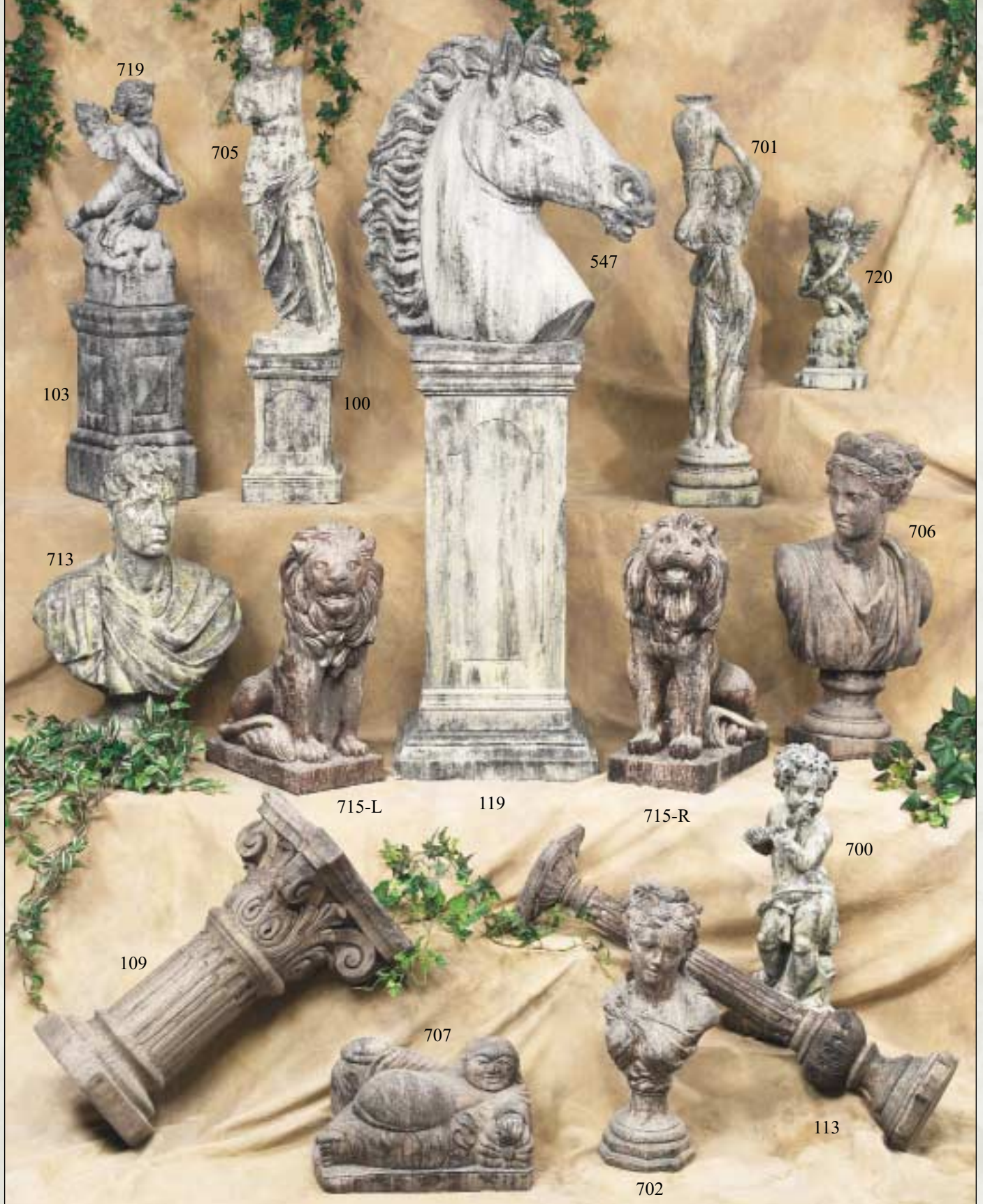


- 606 • Lg Fluted Birdbath • 110 lbs • 19" Dia x 26" H
 605 • Acanthus Pedestal Birdbath-Planter • 140 lbs • 21" Dia x 34" H
 602 • Classic Birdbath • 60 lbs • 13" Dia x 20" H
 607 • Ionic Birdbath • 75 lbs • 13" Dia x 33" H
 608 • Acanthus Stemmed Birdbath with Lg Top • 86 lbs • 19" Dia x 22" H
 609 • Classic Birdbath with Lg Top • 80 lbs • 19" Dia x 22" H
 600 • Eros Birdbath • 90 lbs • 18" Dia x 34" H
 603 • Baroque Birdbath • 90 lbs • 16" Dia x 24" H
 601 • Harvester Birdbath • 125 lbs • 16" Dia x 36" H
 604 • Lg Floral Birdbath • 165 lbs • 25" Dia x 35" H
 610 • Acanthus Rimmed Baluster Birdbath • 160 lbs • 21" Dia x 35" H



703 • Aristotle Statue • 110 lbs • 12" W x 35" H • Base 12"
 101 • Lg Georgian Pedestal • 170 lbs • 14" Sq x 15" H • Top 14"
 722 • Lg Marie Antoinette • 132 lbs • 16" W x 35" H • Base 11"
 112 • Tall Fluted Column • 220 lbs • 17" Sq x 40" H • Top 13.625"
 704 • Spartan Statue • 80 lbs • 11" W x 35" H • Base 10.75"
 106 • Georgian Pedestal • 110 lbs • 13" Sq x 19" H • Top 12.75"
 716 • Alexander The Great • 115 lbs • 11" W x 36" H • Base 9.75"
 104 • Athens Pedestal • 96 lbs • 12" Sq x 22" H • Top 9.5"
 718 • Bathing Lady Statue • 125 lbs • 16" L x 11" W x 46" H • Base 12.75"

110 • Round Plynth • 64 lbs • 18" Dia x 6" H • Top 14"
 710 • Lg Sitting Buddah • 230 lbs • 16" Sq x 23" H • Base 16"
 714 • Lydia Bust • 175 lbs • 19" L x 12" W x 31" H • Base 9"
 111 • Tall Arched Pedestal • 200 lbs • 13" Sq x 25" H • Top 12.75"
 711 • Geisha with Fan • 95 lbs • 11" L x 9" W x 40" H • Base 8.75"
 712 • Geisha with Mandolin • 100 lbs • 11" L x 9" W x 40" H • Base 8.75"
 100 • Arched Pedestal • 75 lbs • 11" Sq x 16" H • Top 10.25"
 717 • Meditating Buddah • 110 lbs • 15" L x 12" W x 24" H • Base 11"



719 • Lg Angel Fountain Detail • 60 lbs • 10.5" L x 9" W x 24" H • Base 7.5"
 103 • Madrid Pedestal • 120 lbs • 11" Sq x 22" H • Top 10"
 705 • Venus de Milo Statue • 74 lbs • 9" W x 35" H • Base 9.5"
 100 • Arched Pedestal • 75 lbs • 11" Sq x 16" H • Top 10.25"
 547 • Large Horsehead • 238 lbs • 31" L x 9" W x 33" H • Base 14.25" x 9.75"
 119 • XL Arched Pedestal • 461 lbs • 20" Sq x 42.75" H • Top 17"
 701 • Sophia Statue • 75 lbs • 12" W x 44" H • Base 9.75"
 720 • Sm Angel Fountain Detail • 30 lbs • 10" L x 7.5" W x 20" H • Base 7.5"
 713 • Maximus Bust • 175 lbs • 22" L x 14" W x 32" H • Base 9.25"

715-L • Lg Sitting Lion Left • 185 lbs • 11" L x 21" W x 26" H • Base 17.25" x 10.25"
 715-R • Lg Sitting Lion Right • 185 lb • 11" L x 21" W x 26" H • Base 17.25" x 10.25"
 706 • Artemis Bust • 150 lbs • 19" W x 32" H • Base 9.25"
 109 • Ionic Pedestal • 200 lbs • 16" W x 31" H • Top 12.25"
 707 • Reclining Buddah • 90 lbs • 20" L x 10" W x 10" H • Base 10.25" x 18.5"
 702 • Marie Antoinette Statue • 54 lbs • 12" W x 26" H • Base 8"
 700 • Cherub with Flute • 60 lbs • 8" W x 28" H • Base 7.75"
 113 • Victorian Plant Stand • 70 lbs • 10" W x 42" H • Top 9.75"



- 222 • Rosette Pot with Pedestal • 55 lbs • 11" Dia x 8" H
- 257 • Nouveau Baluster Planter • 170 lbs • 21.5" Dia x 39" H
- 216 • Wheat Sheaf Urn • 50 lbs • 13" Dia x 16" H • Base 9"
- 242 • Lg Trophy Urn • 305 lbs • 30" Dia x 38" H • Base 15"
- 243 • Lg Grapes Urn • 330 lbs • 29" Dia x 39" H • Base 15.25"
- 249 • 2 Piece Pearled Urn • 70 lbs • 15.5" L x 8.5" W x 30.5" H
- 253 • Acanthus Lion Pot • 500 lbs • 38" Dia x 38" H • Base 23"
- 117 • Plynth for Acanthus Lion Pot • 174 lbs • 28" Dia x 7" H • Top 23.5"
- 118 • Watering Tray for Acanthus Lion Pot • 160 lbs • 35" Dia x 5" H
- 212 • Trophy Urn • 70 lbs • 15" Dia x 24" H • Base 9.5"



- 221-R • Clemintine Urn with Round Base • 75 lbs • 16" Dia x 14" H • Base 10"
- 211 • Coronation Urn • 55 lbs • 15" Dia x 14" H • Base 8"
- 210 • Heraldic Shield Urn • 70 lbs • 16" Dia x 20" H • Base 9"
- 213 • Celtic Urn • 70 lbs • 16" Dia x 16.5" H • Base 8.25"
- 215 • Medium Acanthus Urn • 50 lbs • 16" Dia x 17" H • Base 8.75"
- 221-S • Clemintine Urn with Sq Base • 85 lbs • 16" Dia x 15.75" H • Base 9.75"
- 258 • Large Iris Pot • 103 lbs • 16" Dia x 15" H • Base 14"
- 201 • Iris Pot with Pedestal • 110 lbs • 13" Dia x 21" H

- 203 • Scroll Urn • 100 lbs • 21" Dia x 16" H • Base 10.5"
- 229 • Hexagonal Bacchus & Pan Planter • 230 lbs • 23" W x 20" H
- 220 • XL Acanthus Urn • 225 lbs • 24" Dia x 29" H • Base 12.5"
- 230 • Hexagonal Griffin Planter • 230 lbs • 22" W x 24" H
- 204 • Long Stemmed Urn • 180 lbs • 22" Dia x 23" H • Base 14.5"
- 241 • Classic Pilaster Planter • 554 lb • 24" Sq x 25" H • Base 19"
- 1024-20 • Decorative Pillar Base • 30" Sq x 9.5" H
- 240-S • Classic Roman Urn with Sq Base • 155 lbs • 24" Dia x 18" H • Base 12.75"



- 214 • Egg & Dart Urn • 55 lbs • 16" Dia x 18" H • Base 8"
- 256 • Lg Vined Tulip Urn • 175 lbs • 21" Dia x 36" H • Base 12"
- 219 • Tulip Urn • 35 lbs • 14" Dia x 24" H • Base 9"
- 255 • Lg Tulip Urn • 160 lbs • 21" Dia x 36" H • Base 12"
- 218 • Garland Urn • 45 lbs • 15" Dia x 18" H • Base • 7.75"
- 205 • Lg Coronation Urn • 150 lbs • 19" Dia x 23.5" H • Base 11"

- 225 • Lg Garland Urn • 200 lbs • 24" Dia x 22" H • Base 14"
- 225-P • Matching Pedestal • 158 lbs • 20" W x 16.5" H • Top 15"
- 202 • Lg Acanthus Urn • 150 lbs • 21" Dia x 21" H • Base is 13.25"
- 254 • XL Oval Urn • 565 lbs • 47" L x 28" W x 31" H • Base 24" x 18"
- 200 • Lg Oval Urn • 300 lbs • 39" L x 26" W x 23.5" H • Base 20" x 14"
- 246 • Sm Oval Urn • 110 lbs • 27" L x 19" W x 11" H • Base 19" x 9"



- 235 • Pan Planter • 60 lbs • 11" Sq x 15" H
- 236 • Gyro Falcon Window Box • 100 lbs • 38" L x 10" W x 10" H
- 233 • Cameo Planter • 55 lbs • 11" Sq x 15" H
- 224 • Gloucester Planter • 30 lbs • 13" L x 11" W x 9" H
- 231 • Greek Parade Planter • 110 lbs • 14" Sq x 16" H
- 232 • Lion Planter • 75 lbs • 14" Sq x 14" H

- 223 • Coat of Arms Planter • 35 lbs • 10" Sq x 12" H
- 209 • Acanthus Window Box • 142 lbs • 29" L x 11" W x 12" H
- 245 • Lg Round Vined Urn • 460 lbs • 34" Dia x 30" H • Base 19.5"
- 250 • Basket Weave Window Box • 130 lbs • 27.5"L x 16"W x 13"H • Base 22" x 11"
- 247 • Lg Rectangular Window Box • 270 lbs • 40"L x 18"W x 17"H • Base 32" x 12.5"
- 244 • Lg Rams Head Urn • 517 lbs • 30" Dia x 41" H • Base 16.5"



252 • Nouveau Pedestal Planter • 264 lbs • 21.5" Dia x 33" H • Base 16"

248 • Palm Leaf Urn • 90 lbs • 29" Dia x 19" H • Base 8"

605 • Acanthus Pedestal Birdbath-Planter • 140 lbs • 21" Dia x 34" H • Base 17"

240-R • Classic Roman Urn w/ Round Base • 115 lbs • 24" Dia x 16" H • Base 11.25"

112 • Tall Fluted Column • 220 lbs • 17" Sq x 40" H • Top 13.625"

238 • Troy Urn • 315 lbs • 22" Dia x 36" H • Base 15"

206 • Lg Celebration Urn • 215 lbs • 22" Dia x 34" H • Base 15.25"

217 • Wine Cup Urn • 82 lbs • 17" Dia x 22" H • Base 9.75"

207 • Lg Pot with Swags • 90 lbs • 22" Dia x 17" H • Base 12"

110 • Round Plynth • 64 lbs • 18" Dia x 6" H • Top 14"

239 • Cornucopia Urn • 270 lbs • 22" Dia x 30" H • Base 15"



553 • Art Deco Artichoke • 23 lbs
 543 • Sm Pyramid Finial • 22 lbs
 515 • Med Pyramid Finial • 45 lbs
 539 • Lg Pyramid Finial • 125 lbs
 551 • XL Basket of Fruit • 122 lbs
 521 • Lg Basket of Fruit • 55 lbs
 500 • Basket of Fruit • 40 lbs
 507 • Cherub Planter / Bracket • 50 lbs
 550 • Acanthus Leaf Sphere • 97 lbs
 527 • Pineapple Finial • 67 lbs
 510 • Pawn Finial • 92 lbs
 526 • Sitting Gargoyle • 30 lbs

537 • Lg Fleur de Lis Finial • 80 lbs
 509 • Sphere Finial • 70 lbs
 557 • Cherub Corbel • 17 lbs
 554 • Gniesh • 15 lbs
 516 • Artichoke Finial • 15 lbs
 502 • Sleeping Fairy • 4 lbs
 545-1 • Fish Spitter • 12 lbs
 545-2 • Fish Spitter • 16 lbs
 545-3 • Fish Spitter • 35 lbs
 524 • Frog Family • 38 lbs
 501 • Sm Frog • 8 lbs
 538 • Tyson the Boxer • 110 lbs

508 • Horsehead • 33 lbs
 525 • Med Sitting Lion • 42 lbs
 546 • Sm Turtle • 12 lbs
 540-L • Lg Slumbering Lion Left • 94 lbs
 540-R • Lg Slumbering Lion Right • 94 lbs
 528-R • Sm Slumbering Lion Right • 16 lbs
 528-L • Sm Slumbering Lion Left • 16 lbs
 541 • Lg Turtle • 43 lbs
 555 • Contented Toad • 32 lbs
 522 • Bulldog • 15 lbs
 505 • Scottie Dog • 7 lbs
 556 • Lg Scottie Dog • 12 lbs



- 409 • Sm Gryphon Bench • 360 lbs • 46" L x 20" W x 24" H
- 405 • XL Round Table • 627 lbs • 48" Dia x 28" H
- 402 • Lg Curved Heraldic Bench • 350 lbs • 63" L x 19" W x 19" H
- 415 • Rectangular Classic Acanthus Pilaster Table • 866 lbs • 62" L x 39" W x 29.5" H
- 412 • Lg Classic Acanthus Bench • 430 lbs • 64" L x 20" W x 24" H
- 417 • 4 Legged Gryphon Bench • 520 lbs 63"L x 18" W x 21" H
- 407-30 • Ionic Pedestal Table • 265 lbs • 30" Dia x 32" H
- 401 • Lg Round Heraldic Table • 285 lbs • 36" Dia x 19" H
- 410 • Dolphin Console Table • 310 lbs • 51" L x 14" W x 32" H



- 210 • Heraldic Shield Urn • 70 lbs • 16" Dia x 20" H • Base 9"
- 411 • Scrolled Greek Bench • 310 lbs • 51" L x 14" W x 36" H • Seat 24" H
- 400 • Sm Curved Heraldic Bench • 210 lbs • 42" L x 19" W x 19" H
- 403 • Sm Heraldic Bench • 184 lbs • 30" L x 19" W x 19" H
- 413 • Sm Classic Acanthus Bench • 385 lbs • 46" L x 20" W x 24" H
- 414 • Classic Acanthus Pilaster Table • 774 lbs • 39" Sq x 29.5" H
- 246 • Sm Oval Urn • 110 lbs • 27" L x 19" W x 11" H • Base 19" x 9"



337



328



306



335



329



315

- 337 • Three Muses Plaque • 45 lbs • 28" W x 29" H
- 328 • Celebration Plaque • 33 lbs • 26" W x 26" H
- 306 • Nine Muses Plaque • 200 lbs • 62" W x 29" H
- 335 • Three Graces Plaque • 40 lbs • 22" W x 29" H
- 329 • Lg Greek Parade Plaque • 35 lbs • 19" W x 21" H
- 315 • Two Muses Plaque • 50 lbs • 22" W x 29" H



336-A



319



336-B



310



330



310



307



344

- 336-A • Pan Plaque • 30 lbs • 17" W x 22" H
- 319 • Venus Plaque • 42 lbs • 23" W x 30" H
- 336-B • Pan Plaque • 30 lbs • 17" W x 22" H
- 310 • Torch Plaque • 13 lbs • 6" W x 29" H
- 330 • Lg Chariot Plaque • 154 lbs • 57" W x 29" H
- 307 • Dionysus Plaque • 25 lbs • 19" W x 27" H
- 344 • Framed Chariot Plaque • 75 lbs • 40" W x 25.5" H



326 • Decorative Vine Plaque • 25 lbs • 20" W x 19" H
 338 • Troy Plaque • 55 lbs • 29" W x 22" H
 320 • Sibblings Plaque • 25 lbs • 18" W x 16" H
 318-L • Griffin Plaque • 16 lbs • 10" W x 20" H
 334 • Green Man Plaque • 50 lbs • 34" W x 18" H
 318-R • Griffin Plaque • 16 lbs • 10" W x 20" H
 346 • Ionic Capitol Plaque • 35 lbs • 17" W x 10" H
 348 • Oak Man Plaque • 42 lbs • 16" W x 27" H

312 • Acadia Plaque • 30 lbs • 25" W x 12" H
 323 • Fairy Plaque • 5 lbs • 8" W x 13" H
 324 • Angel Plaque • 5 lbs • 8" W x 13" H
 311 • Cherub Plaque • 10 lbs • 14" W x 18" H
 304 • Lady Grapes Plaque • 20 lbs • 14" W x 17" H
 305 • Lady Grapes Face Plaque • 15 lbs • 12" W x 15" H
 342-L • Cameo Plaque L • 16 lbs • 7" W x 19" H
 342-R • Cameo Plaque R • 16 lbs • 7" W x 19" H



- 811 • Diana Sconce • 10 lbs • 8" W x 14" H
- 813 • Gargoyle Sconce • 12 lbs • 14" W x 14" H
- 800 • Fruit & Laurel Sconce • 17 lbs • 16" W x 11" H
- 807 • Athena Sconce • 8 lbs • 10" W x 11" H
- 810 • Tragedy Sconce • 20 lbs • 13" W x 14" H
- 809 • Comedy Sconce • 17 lbs • 11" W x 15" H
- 801 • Nouveau Lady Sconce • 10 lbs • 13" W x 16" H
- 812 • Grotesque Sconce • 17 lbs • 15" W x 15" H
- 817 • Oak Leaf Sconce • 13 lbs • 9" W x 12" H
- 820 • Lg Cornucopia Sconce • 45 lbs • 9.5" W x 30.5" H

- 804 • Classic Sconce • 9 lbs • 10" W x 14" H
- 814 • Lg Acanthus Sconce • 12 lbs • 9.5" W x 16" H
- 805 • Med Acanthus Sconce • 10 lbs • 5" W x 13" H
- 815 • Tudor Sconce • 7 lbs • 5" W x 10" H
- 808 • Bell Sconce • 7 lbs • 10" W x 12" H
- 806 • Acanthus Shelf • 7 lbs • 8" W x 13" H
- 818 • Shell Sconce • 9 lbs • 12" W x 8" H
- 803 • Morning Glory Sconce • 7 lbs • 9" W x 12" H
- 816 • Sm Acanthus Sconce • 7 lbs • 5" W x 10" H



- 908 • Fleur de Lis Fountain* 415 lbs • 24" W x 57" H
- 914 • Oak Man Fountain* 82 lbs • 16" L x 9" W x 33" H
- 900 • Heraldic Lion Fountain* 100 lbs • 23" W x 31" H
- 912 • Flowing Sphere Fountain* 325 lbs • 26" W x 45" H
- 910 • 3 Tiered Oval Fountain* 1400 lbs • 47.5" L x 32" W x 83" H
- 906 • Lg Lion Fountain* 68 lbs • 16" W x 39" H
- 904 • Mr Bacchus Fountain* 67 lbs • 16" W x 42" H

* Includes Pump & Tubing



- 909 • 2 Tiered Oval Fountain* 800 lbs • 39" L x 26" W x 65" H
 - 551 • XL Basket of Fruit • 122 lbs • 15" W x 26" H • Base 9.5"
 - 901 • Dolphin Fountain* 78 lbs • 26" W x 32" H
 - 107 • Fan Pedestal • 124 lbs • 11" W x 17" H • Top 9.5"
 - 903 • Boy with Dolphin • 120 lbs • 14" Sq x 28" H
 - 917-2T • 2 Tiered Acanthus Rimmed Sphere Fountain* 950 lbs • 53" Dia x 63" H
- Also Available**
- 917 • Single Tier Acanthus Rimmed Sphere Fountain* 745 lbs • 53" Dia x 58" H

* Includes Pump & Tubing



919

917-3T

918-3T

919 • Boy with Dolphin Oval Fountain* 605 lbs • 39" L x 26" W x 60" H

Also available

919-2T • Boy with Dolphin 2 Tiered Oval Fountain* 1410 lbs • 47.5" L x 32" W x 89" H

917-3T • 3 Tiered Acanthus Rimmed Fountain* 967 lbs • 53" Dia x 55" H

918-3T • Extended 3 Tiered Acanthus Rimmed Fountain* 989 lbs • 53" Dia x 91" H

Also available

918-2T • Extended 2 Tiered Acanthus Rimmed Sphere Fountain* 985 lbs • 53" Dia x 84" H

* Includes Pump & Tubing

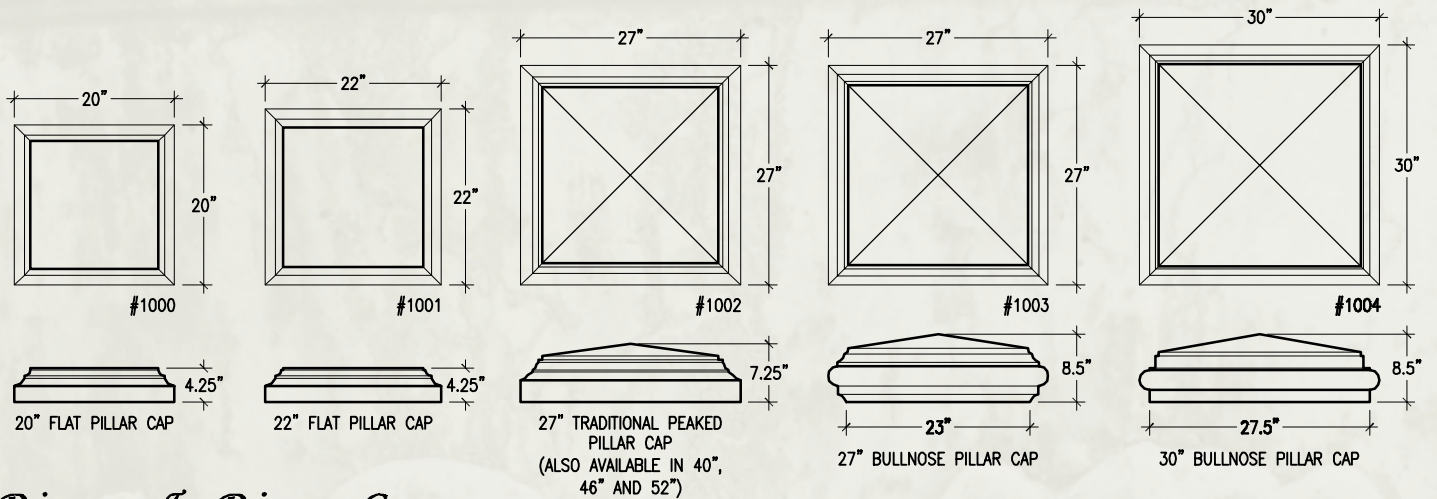


221-R • Clementine Urn with Round Base • 75 lbs • 16" Dia x 14" H • Base 10"
 1023 • Sm Pier • 120 lbs • 11" W x 19.5" H
 1023-C • Sm Pier Cap • 40 lbs • 13" Sq x 5" H
 1011 • Handrail • 131 lbs • 48" L x 12" W x 4.5" H
 1008 • Traditional Baluster • 45 lbs • 7" L x 7" W x 19.5" H
 1014-F • 16" Flat Finished End Coping • 160 lbs • 48" L x 16" W x 4.25" H
 1024-20 • Decorative Pillar Base • 30" Sq x 9.5" H • Fits 20" Pillar
 1025-20 • Decorative Pillar Accent • 84 lbs • 20" Sq x 4" H
 1026 • Decorative Wall Accent • 40 lbs • 30" L x 4" W x 4" H
 1027 • Corner Medalion • 5 lbs • 4" Sq x 4" H
 1028 • Decorative Egg & Dart Panel • 50 lbs • 34.5" L x 3.5" W x 6" H

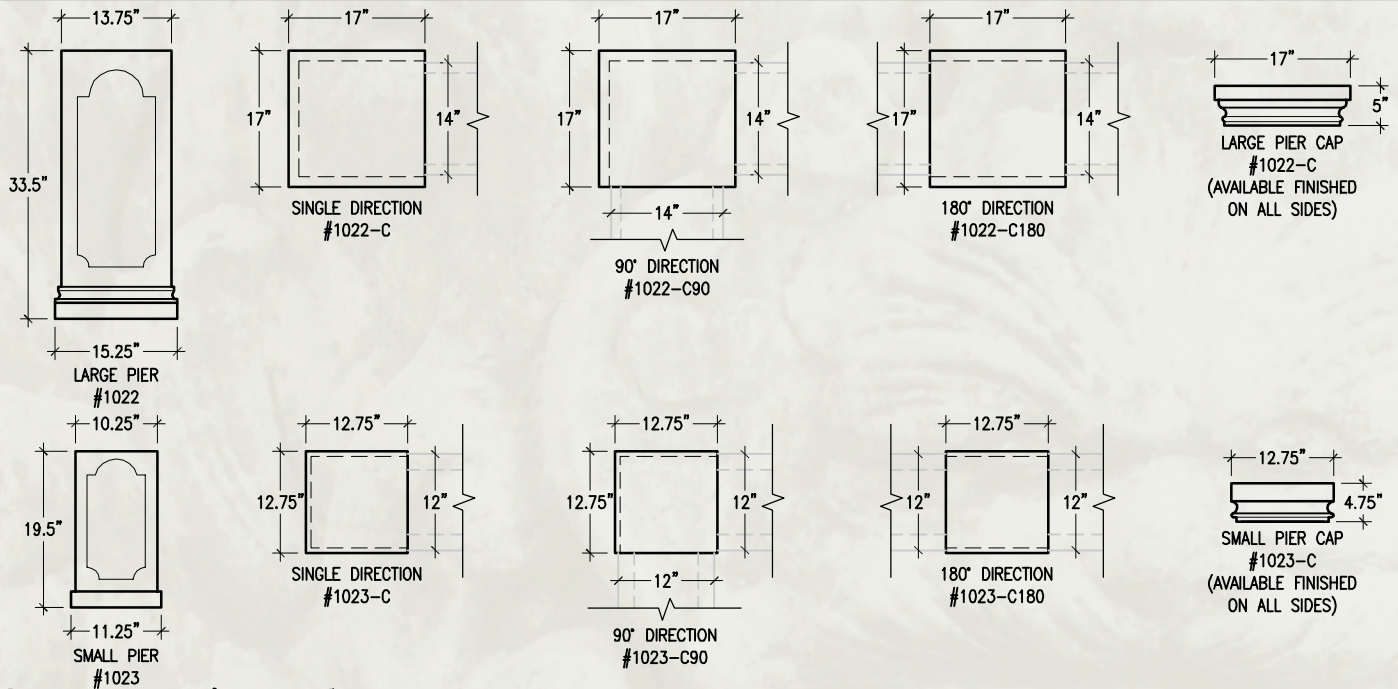
1001 • 22" Flat Pillar Cap • 120 lbs • 22" Sq x 4.5" H • Fits 20" Pillar
 537 • Lg Fleur de Lis Finial • 80 lbs • 12" W x 20" H • Base 13"
 1005 • Tall Traditional Baluster • 95 lbs • 11.5" L x 11.5" W x 31.5" H
 1012-90 • 14" 90° Handrail • 145 lbs • 30" L x 14" W
 1012 • 14" Handrail • 150 lbs • 48" L x 14" W
 1015-F • 20" Flat Finished End Coping • 210 lbs • 52" L x 20" W x 4.75" H
 1015-90 • 20" 90° Flat Wall Coping • 175 lbs • 30" L x 20" W
 1022 • Lg Pier • 280 lbs • 16" Sq x 33" H
 1022-C • Lg Pier Cap • 85 lbs • 17" W x 5" H
 1029 • Classic Roman Column • 182 lbs • 7" W x 51" H
 1030 • Ionic Capitol • 49 lbs • 13" Sq x 7.5" H

Architectural Products

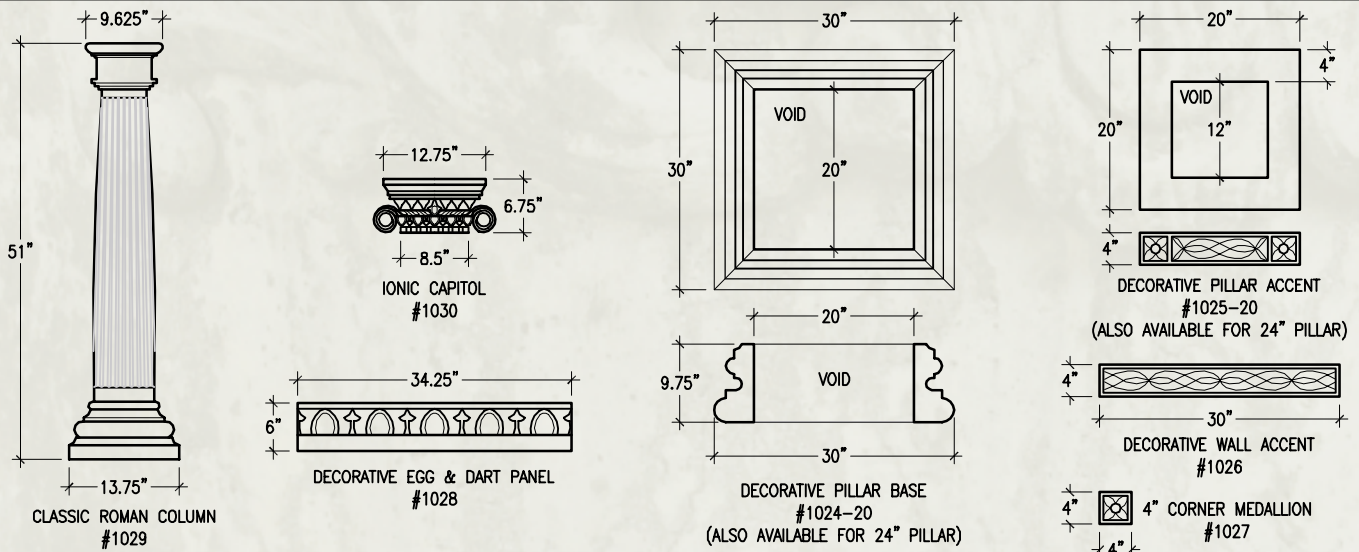
Pillar Caps



Piers & Pier Caps

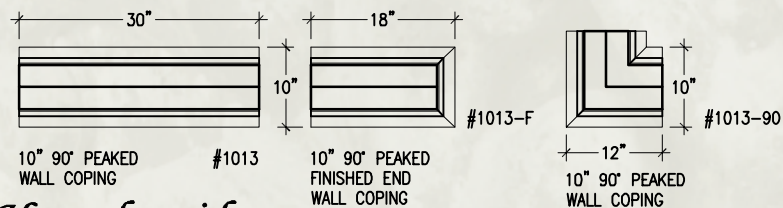
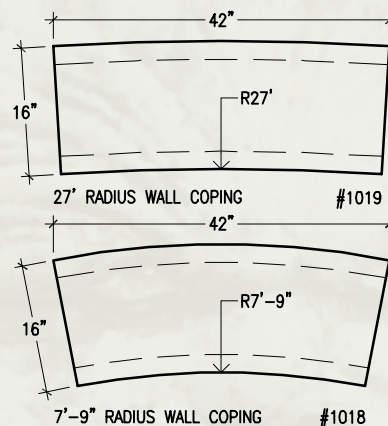
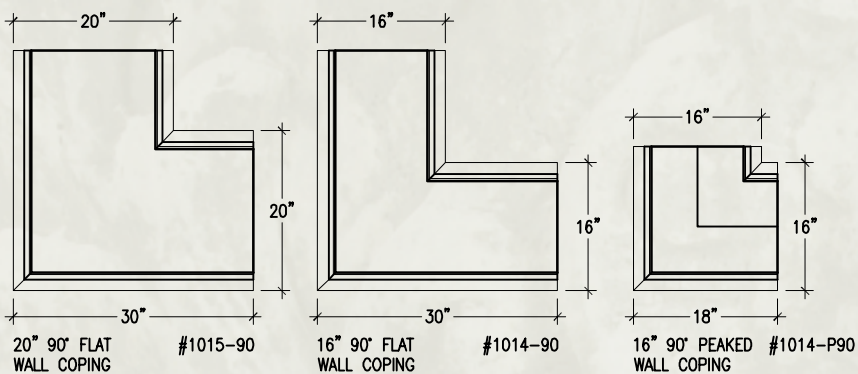
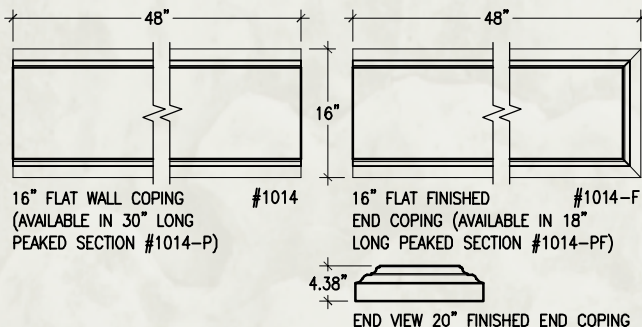
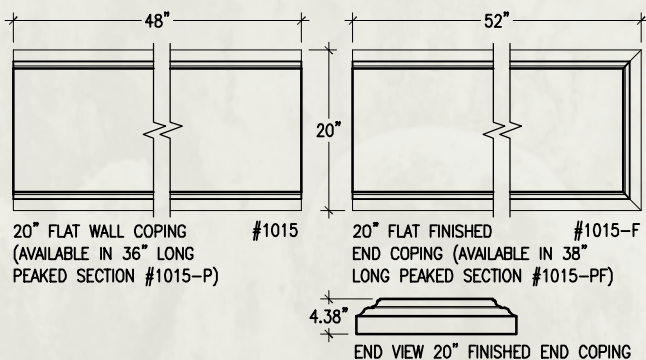
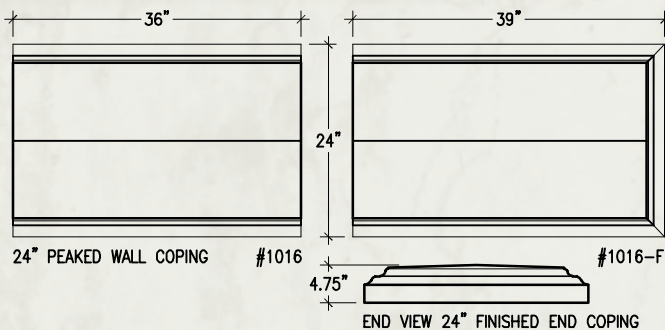
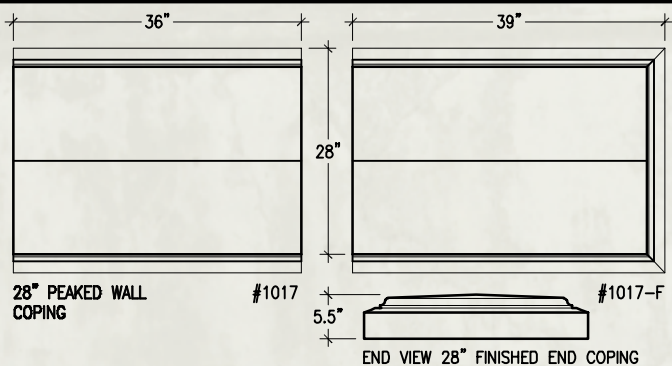


Decorative Accents

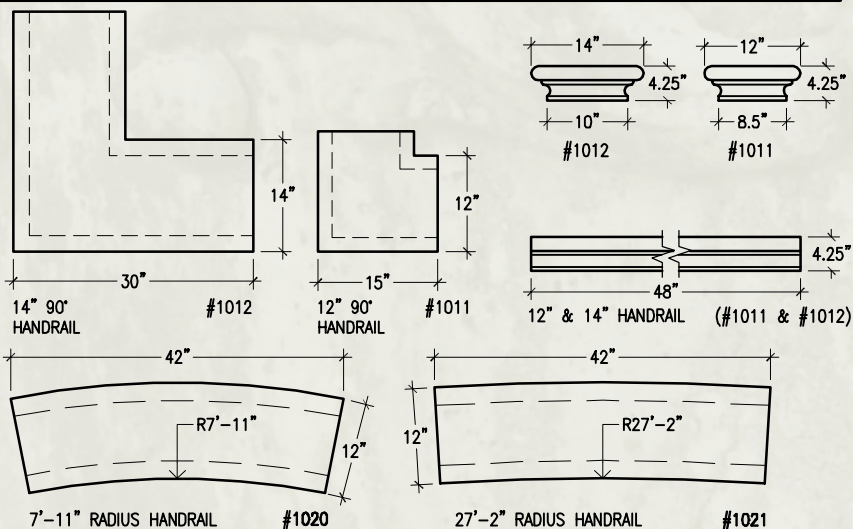


Architectural Products

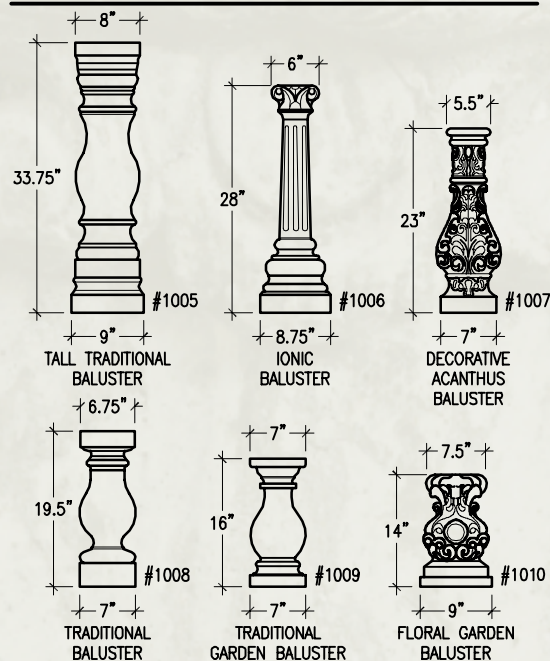
Wall Copings



Handrails



Balusters





Head Office

915 Kipling Avenue, Toronto, Ontario, Canada M8Z 5H4 • T: 416-237-9129 • F: 416-237-1797
Toll Free: 1-866-328-3329 • www.silcastnorthamerica.com • info@silcastnorthamerica.com

Take advantage of the opportunity to visit one of our showroom locations

915 Kipling Avenue
Toronto, Ontario
Canada M8Z 5H4
T: 416-237-9129 • F: 416-237-1797
Toll Free: 1-866-328-3329

Merchandisemart
240 Peachtree St. N.W.
The Gardens 14th Floor #14-C 332-333
Atlanta, Georgia, U.S.A. 30303-1327
T: 404-220-2036 • F: 404-220-2029

Las Vegas Flower Mart
3910 Graphic Center Drive
Las Vegas, Nevada
U.S.A. 89118
T: 702-365-0197 • F: 702-876-8271